



Applications

- Police, Fire, Ambulance
- Utilities, Taxis, Airlines
- Forestry, Parks, Recreation
- Industries, Municipalities, Construction
- Security and Public Safety

Features

- **Parallel Status Updating**
- **Programmable 4-Frequency Control**
- **Line Operated Transmit Light (LOTL)**
- **Multiple Parallel Deskset Support**
- **Parallel Transmit Audio**
- **Selectable Parallel Transmit Audio Mute**
- **Monitor**
- **Intercom**
- **Programmable Voice Delay**
- **2 or 4-Wire**
- **Full-Duplex Capability**
- **Adjustable Receive Input Sensitivity and Transmit Output Level**
- **External Connection for Accessory Microphone**
- **Built-in Microphone and Speaker**
- **PC Programmable**

The **ITR2000A Tone Remote Deskset** is an excellent tool for maximizing the flexibility and effectiveness of radio systems. Used with an ITA2000A GAI-Tronics tone remote adapter, the ITR2000A provides numerous options for remote control of conventional base station radios. Control point distances are limited only by telephone-line capabilities, and the number of desksets that can be set up in parallel is limited only by radio system design.

The deskset itself is like no other in the industry. Parallel Status Updating, 4-Frequency Control, Monitor, Intercom, Line Operated Transmit Light, Parallel Transmit Mute, Programmable Voice Delay and Full-Duplex Capability come as standard features with every ITR2000A.

Each unit also includes a plug-in power supply, handset, built-in microphone and speaker. Front mounted controls and adjustments allow for easy installation and operation.

Tone Remote Deskset ITR2000A

Specifications

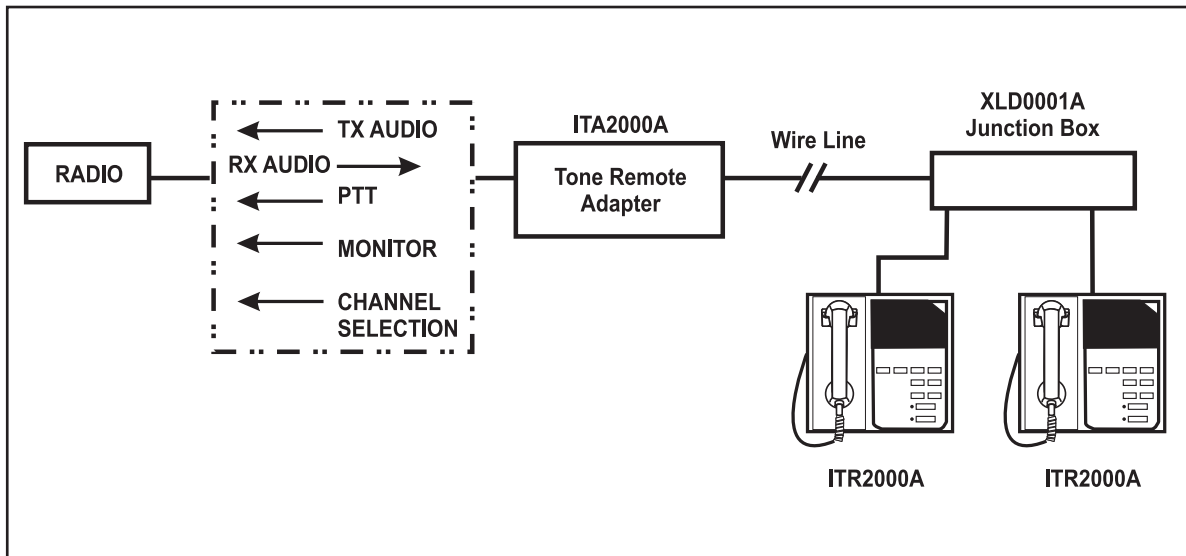
ColorBlack
 Size7.6" X x 8.9" L x 4.7" H
 Weight2.4 lbs.
 Temperature-35° to +70°C
 Humidity95% at 50°C (non-condensing)
 Line Impedance600 ohms nominal
 Power Input10.5 - 16 VDC; 0.5 A maximum from
 Class 2 listed AC adapter
 Nominal Input Level-10 dBm
 Range-25 to 0 dBm into 560 ohms
 Nominal Output Gain-10 dBm
 Range-15 to + 5 dBm into 560 ohms
 Frequency Response±3 dB at 300-3000 Hz
 (except notch filter)
 Frequency StabilityBetter than ±1.0%
 Hum and NoiseLess than -45 dB below rated outputs
 Audio Output to Speakers1 watt min. with level
 in compression range
 Audio DistortionLess than 3% THD

Max. Number of RemotesPer System Limitations
 (10 per junction box recommended)
 Microphone Connections8-pin Modular;
 Audio accessory port for multiple user devices.
 SafetyClass III SELV-powered
 equipment. Powered by UL-listed (E104603) and
 CSA certified (LR67888) ac adapter
 EmissionsUSA: FCC Part 15, Sub. B-Verification
 Canada: ICES-003
 Line InterfaceUSA: FCC Part 68 Exempt (Category II
 Tariff #260 service for private/leased line applications) Canada:
 Designed to meet IC CS03-8

Control Functions

Guard ToneProgrammable (includes 2175 Hz)
F1 thru F4 ToneEach function can be
 programmed from 550 - 1950 Hz (100 Hz increments)
 CARD Suite Software Required
MonitorProgrammable (includes 2050 Hz)

System Diagram



Accessories and Options

ITA2000A Tone Remote Adapter
 XAC4000A Programming Bundle
 XAC0004A Programming Cable
 40419-008 Replacement AC Wall Transformer
 XLD0001A Junction Box

XAAB002A Audio Accessory Box
 XHS003C / XCC004B Headset and Adapter Cable
 XDM002A Desk Microphone
 XFS002A Dual PTT & Monitor Footswitch
 XGM002A Gooseneck Microphone

Note: Models XHS003B, XFS002A, and XGM002A Require
 XAAB002A Audio Accessory Box.

Call Customer Service (1-800-492-1212) For Application Assistance and Pricing. Specifications Subject To Change Without Notice.



GAI-Tronics® - USA Toll Free: 1 (800) 492-1212 Tel: (610) 777-1374 Fax: (610) 796-5954 www.gai-tronics.com
 Quality Management System Certified by DNV - ISO9001:2008

The policy of GAI-Tronics is one of continuous improvement, therefore the company reserves the right to change specifications without notice

Pub. 001002 rev. 12-2010