



GAI-TRONICS® CORPORATION
A HUBBELL COMPANY

Model 13310-203 Explosion-proof Driver

General Information

This data sheet applies to the GAI-Tronics Model 13310-203 Explosion-proof Driver, which is rated for 30 watts. It has a 16-ohm impedance, and has a 70.7 V transformer, which can be connected for the power level desired.

The installation of explosion-proof speakers must conform with regulations governing electrical equipment for hazardous locations and the provisions of the National Electrical Code.

NO ALTERATIONS MAY BE MADE TO THESE DRIVER UNITS!

Specifications

| | |
|-------------------------------|--|
| Power handling capacity | Selectable 3.7 W, 7.5 W, 15 W, and 30 W with 70.7 V audio transformer |
| Impedance | 16 ohms (voice coil) |
| Frequency response..... | 400 Hz to 3500 Hz (± 6 dB) |
| Sensitivity..... | 104 dB SPL: 1 watt @ 1 meter, swept sine average |
| Conduit attachment..... | Standard 1/2 inch NPT (1.27 cm) pipe conduit |
| Dimensions..... | 8.45 (214.6) diameter \times 8.86 (225) long including throat, inches (mm) |
| Shipping weight..... | 12.8 lbs. (5.8 kg) |
| Material..... | Die cast aluminum housing |
| Finish | 1 to 1.5 mil epoxy, gray |
| Horn coupling..... | Standard 1-3/8 inch (3.5 cm) - 18 threads |
| Approval | UL listed [E71922] for Div. 1, Class I, Groups B, C and D, Hazardous Gas Areas |

 **CAUTION**  **Installation must be in accordance with National Electrical Code for the appropriate hazardous area classification.**

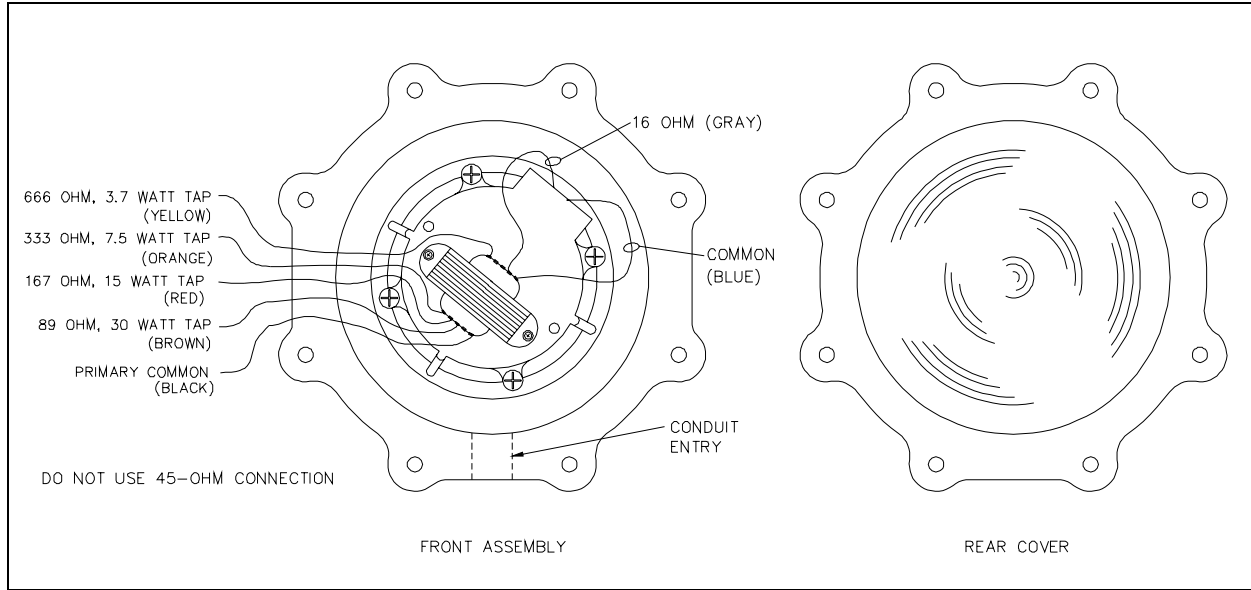


Figure 1. Front and Rear Halves of 13310-203 Driver Assembly – Output Tap Locations