



GAI-TRONICS® CORPORATION
A HUBBELL COMPANY

Model 701-905 SmartSeries® Handset/Speaker Amplifier

General Information

This data sheet applies to the Model 701-905 SmartSeries® Handset/Speaker Amplifier, which is designed to provide an intelligent handset for use on a multi-party system cable in a standard GAI-Tronics Page/Party® or ADVANCE system.

The Model 701-905 includes a handset and cradle with a magnetic reed hookswitch that signals the appropriate status to the microcontroller within the assembly. The GAI-Tronics nameplate conceals an internal user level adjustment control.

It supports one-way paging over the system speaker and two-way party line communications, and serves as an amplifier to broadcast page announcements over the station's speaker. It also serves as a control interface to optional devices such as the party line End-of-Line Module or the SmartSeries station Remote Terminal Unit when installed into a SmartSeries® RTU enclosure. It can also:

- Monitor and control the handset and auxiliary connections, if equipped.
- Supervise the local speaker.
- Measure the ambient noise and adjust the speaker output level accordingly.
- Transfer data messages and audio on the system cable.

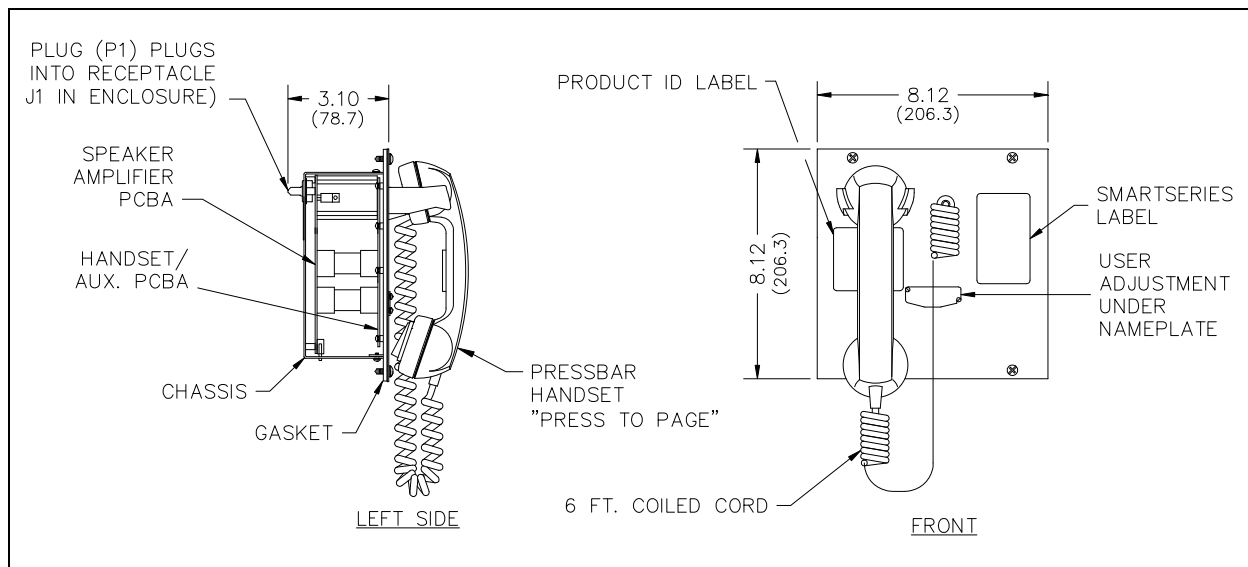


Figure 1. Front and Side Views

Specifications

Electrical

Supply voltage 90 to 140 V ac (120 V ac nominal), 50/60 Hz

Power consumed @ nominal ac Zero/maximum signal (12 watts): 15 VA, 9 watts/59 VA, 32 watts

Speaker Amplifier

Output 12 watts minimum, with nominal supply voltage

Frequency response 350 to 6,500 Hz, +0/-3 dB, ref. to 1 kHz

Distortion 1% maximum THD @ 1 kHz, 12 watts

SmartVolume™

Monitor range (low gain) 62 to 100 dB SPL

Offset (above ambient) User Level Adjustment 0 to 48 dB

Minimum User Level Adjustment Off; 85 to 125 dB SPL

Handset Amplifier

Output 1.5 V_{RMS} nominal into 33-ohm load

Frequency response with 5 mV_{RMS} input (AGC on) 350 to 6,500 Hz, +0/-3 dB ref. to 1 kHz

Distortion 1.5% maximum THD @ 1 kHz

Mechanical

Dimensions 8.12 H × 8.12 W × 6.12 D inches (206 × 206 × 155 mm), overall

Environmental

Temperature range -22° F to +158° F (-30° C to +70° C), operating and storage

Humidity 95%, non-condensing

Approvals

Model 701-905 Amplifier II 3G EEx nA IIC T4

Location Zone 2

IP 66 when installed in a Model 702-006, 703-006, 703-007,

7325-106, or 7325-107 Enclosure

NRTL listed Suitable for use in hazardous locations Class I, Div. 2, Groups A, B, C, D;

Class II, Div. 2, Groups F, G;

Class III, Div. 2

when used with listed 702-006, 703-006, 703-007

7325-106, or 7325-107 Enclosure

CE Mark

Temperature Code

T4

Certificate No. DEMKO 04 ATEX 0424225X

Notified Body Id No. 0539

UL International DEMKO A/S

Lyskear 8

DK-2730 Herlev

Denmark