



GAI-TRONICS® CORPORATION  
A HUBBELL COMPANY

# Model 733-006 Single-Party Outdoor Non-metallic Amplifier Enclosure

## General Information

This data sheet applies to the Model 733-006 Single-Party Outdoor Non-metallic Amplifier Enclosure, which is a component of the 700 Series Page/Party® system.

It is constructed of glass-reinforced polyester and is extremely weatherproof and corrosion-resistant. This enclosure is equipped with terminal strips for connecting system cable.

The Page/Party® Series amplifiers mate directly with this enclosure.

The torque setting for securing the amplifier to the enclosure should be 10 to 12 in-lbs. or 1.13 to 1.36 n-m.

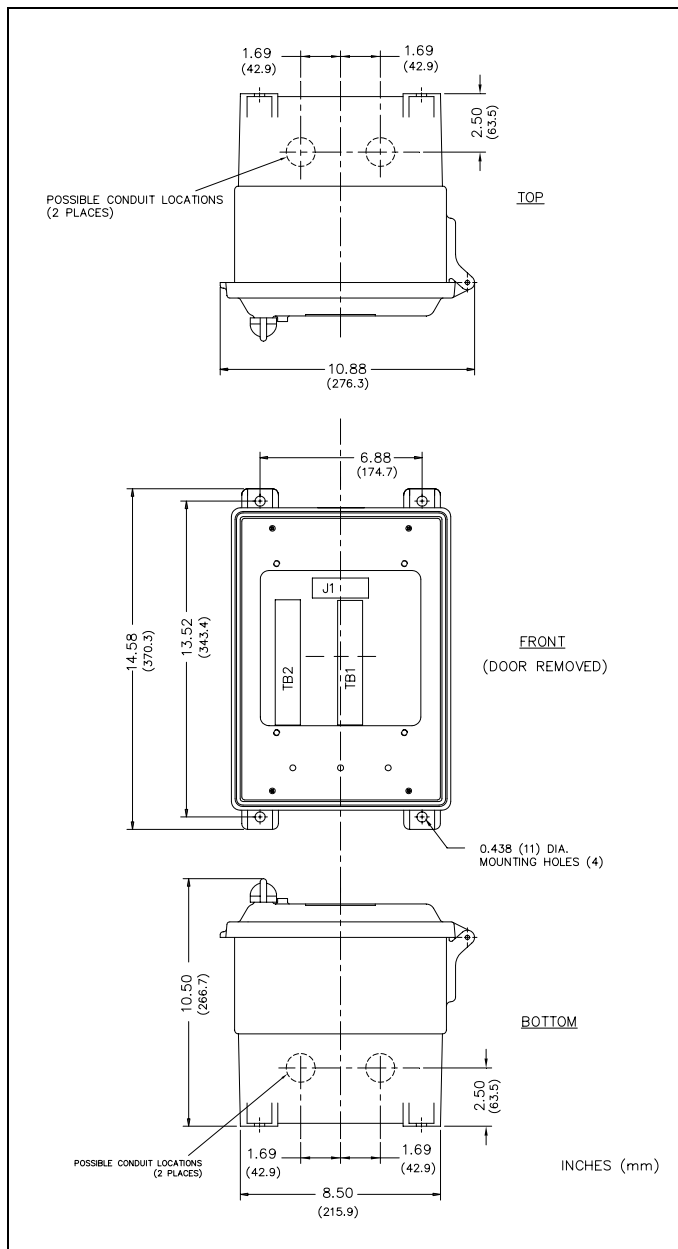


Figure 1. Model 733-006 Single Party Enclosure

# Specifications

Construction/finish..... Glass-reinforced polyester, J-hook latch, hinged door with gasket

Mounting..... Wall, column, or pole (mounting kit required for pole mount),  
four 7/16-inch mounting holes

Connections ..... Internal screw-type barrier terminal blocks

Dimensions ..... 14.6 H × 10.4 W × 10.5 D inches (371 × 276 × 267 mm)

Temperature range (operating and storage) ..... -22° F to +158° F (-30° C to +70° C)

Shipping weight ..... 9.6 lbs. (4.4 kg)

## Approvals

Model 733-006 Enclosure..... Type 4X (with door closed)

CE Mark