



GAI-TRONICS® CORPORATION
A HUBBELL COMPANY

Model 7335-006 Multi-Party Outdoor Non-metallic Amplifier Enclosure

General Information

This data sheet applies to the Model 7335-006 Multi-Party Outdoor Non-metallic Amplifier Enclosure, which is a component of the 700 Series Page/Party® system.

It is constructed of glass-reinforced polyester and is extremely weatherproof and corrosion-resistant. This enclosure is equipped with terminal strips for connecting system cable.

The Page/Party® Series amplifiers mate directly with this enclosure.

The torque setting for securing the amplifier to the enclosure should be 10 to 12 in-lbs. or 1.13 to 1.36 n-m.

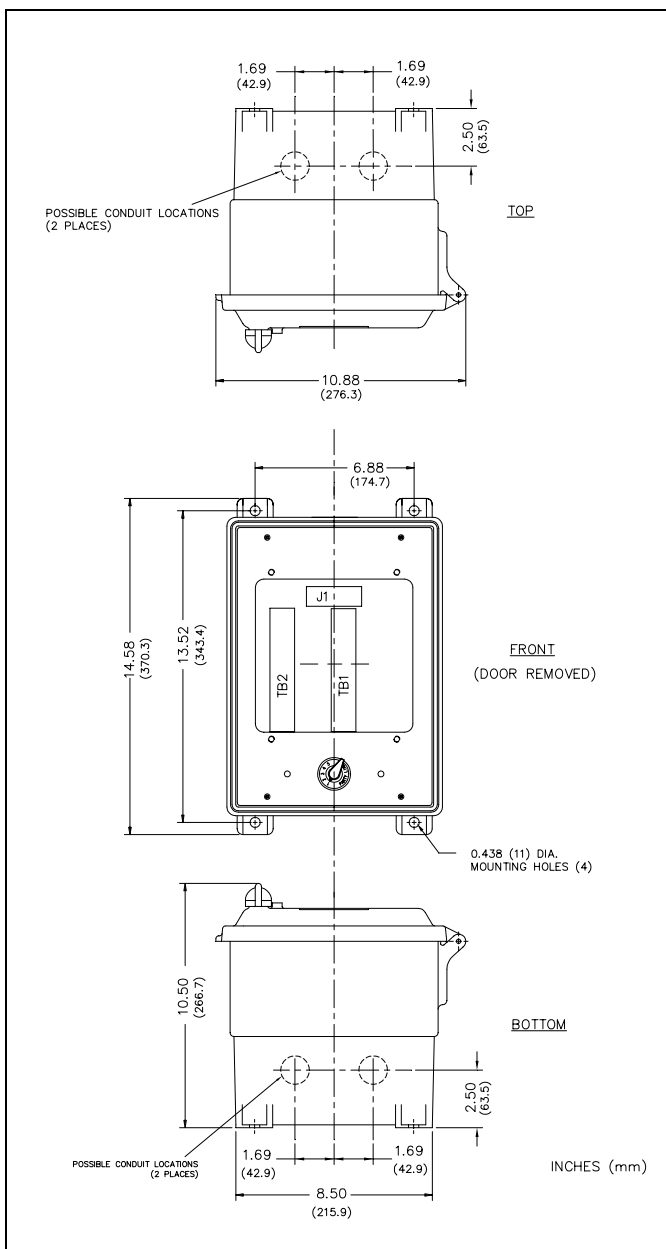


Figure 1. Model 7335-006 Enclosure Mounting Details

Specifications

Construction/finish..... Glass-reinforced polyester, J-hook latch, hinged door with gasket

Mounting..... Wall, column, or pole (mounting kit required for pole mount),
four 7/16-inch mounting holes

Connections Internal screw-type barrier terminal blocks

Dimensions 14.6 H × 10.4 W × 10.5 D inches (371 × 276 × 267 mm)

Temperature range (operating and storage) -22° F to +158° F (-30° C to +70° C)

Shipping weight 9.6 lbs. (4.4 kg)

Approvals

Model 7335-006 Enclosure..... Type 4X

CE Mark