



GAI-TRONICS® CORPORATION
A HUBBELL COMPANY

Div. 2 Hazardous Area Speaker Assembly Using Model 13314-001 Driver

General Information

This data sheet applies to the GAI-Tronics Model 13314-001 Driver, which is an 8-ohm configuration. It is constructed of black glass and fiber-reinforced polyester thermoplastic and has a rain-tight construction. It is built to withstand harsh industrial environments and are approved for installation in hazardous areas.

Specifications

Power capacity	30 watts continuous power
Impedance	8 ohms
Frequency response.....	400-4500 Hz (depends on horn)
Horn attachment	Standard 1.375-18 UNEF threads
Connections	42-inch extra hard usage flexible cord (Type SO, 18/3)
Approvals.....	UL Listed for Class I, Div. 2 Groups A, B, C, and D; Class II, Div. 2 Groups F and G; Class III, Div. 2
Weatherproof rating.....	Type 4X

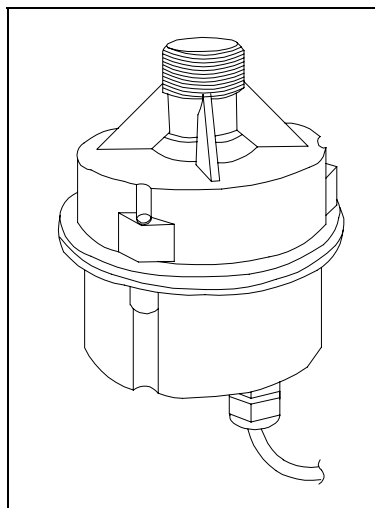


Figure 1. Model 13314-001 Driver - 8-ohm impedance

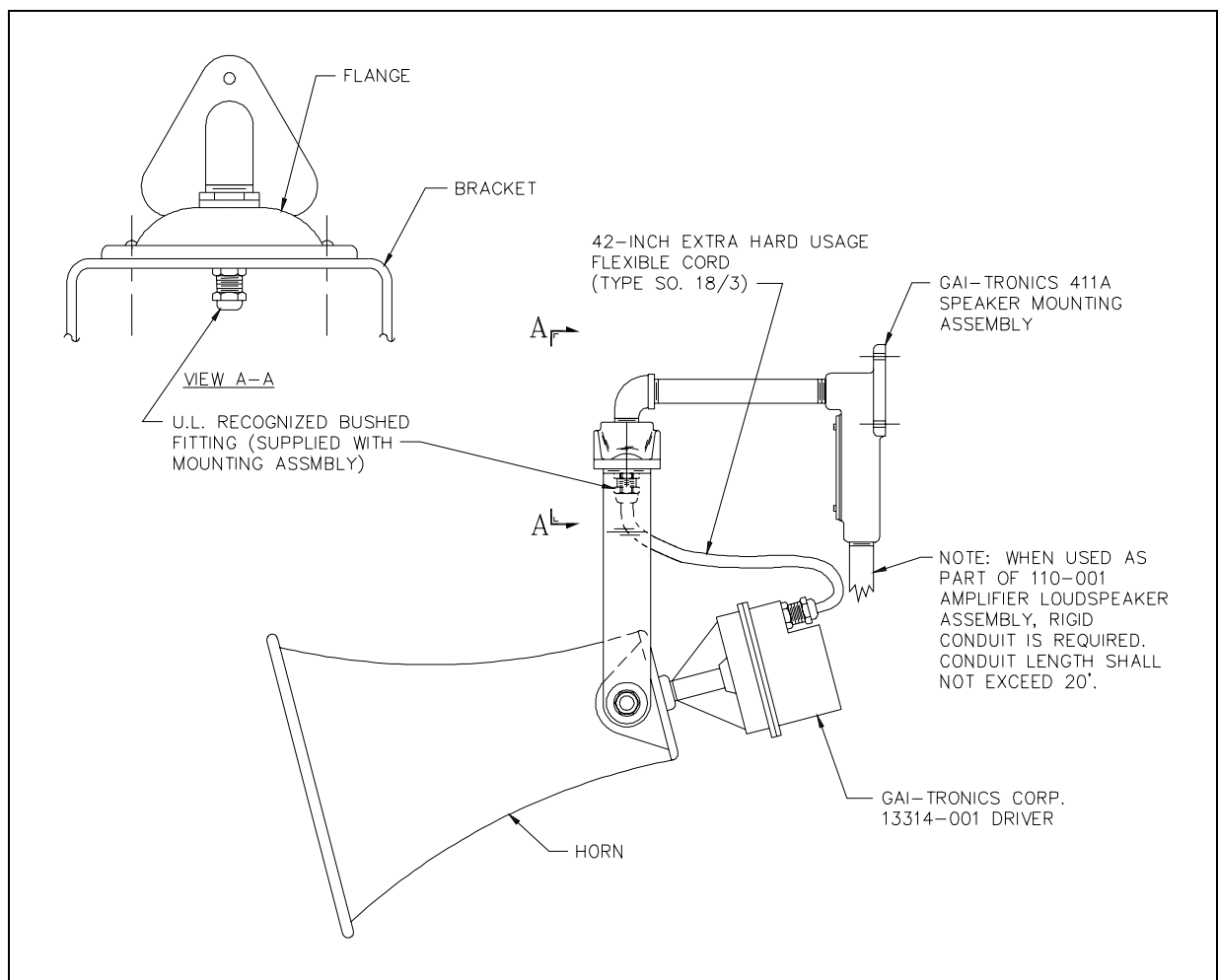


Figure 2. Typical Installation of the Model 13314-001 Driver