



GAI-TRONICS® CORPORATION  
A HUBBELL COMPANY

# Model 7805-001 Indoor Explosion-proof Multi-Party Handset Station

---

## General Information

This data sheet applies to the Model 7805-001 Indoor Explosion-proof Multi-Party Handset Station. This Page/Party® handset station provides safe and clear five-party line communications in hazardous areas, even in high-noise situations. It is NRTL-certified for use in the US and Canada for the following areas: Class I, Div. 1, Groups C and D; Class II, Div. 1, Groups E, F, and G; and Class III, Div. 1.

The Model 7805-001 includes a front-panel push button for paging, a 6-foot PVC coil cord, a noise-canceling microphone for reduced transmission of background noise, and sidetone circuitry. An electrical safety barrier mounted inside the housing creates an intrinsically-safe handset. It also includes a durable rotary switch for party line selection.

## Specifications

Power input..... 90–140 V ac; 120 V ac nominal, 50–60 Hz; 0.5 amp maximum  
 Dimensions..... 13.1 H × 7.9 W × 5.6 D (8.9 including handset) inches; (332 × 200 × 143 mm)  
 Temperature range..... -22° F to +158° F (-30° C to +70° C)  
 Shipping weight..... 27 lbs. (12.2 kg)

### Handset

Material/finish..... Gray ABS  
 Microphone..... 10 ohms, noise-canceling, dynamic  
 Receiver..... 150 ohms, dynamic  
 Cable..... Retractable with sealed elbow, 6-foot extended length

### Handset Amplifier

Output..... 1.5 V nominal into 33-ohm load  
 Gain..... 55 dB, adjustable  
 Frequency response..... 250–4000 Hz, +0/-3 dB ref @ 1 kHz (1.5 V<sub>RMS</sub>) output  
 Distortion..... 1.5% maximum THD @ 1 kHz  
 Preset adjustments..... Microphone gain, sidetone adjustment, receiver volume

### Speaker Amplifier

Output..... @ 120 V ac: 12-watt minimum into 8- or 16-ohm load  
 Voltage gain..... 20 dB minimum, adjustable  
 Frequency response..... 250–4000 Hz; +0/-3 dB ref @ 1 kHz  
 Distortion..... 1% maximum THD @ 1 kHz/12 watts  
 Input impedance..... 50,000 ohm, minimum @ 1 kHz  
 Controls, preset adjustments..... Speaker volume

Model 7805-001 Indoor Explosion-proof Multi-Party Handset Station

**Explosion-proof Enclosure**

Material/finish ..... Aluminum alloy  
 Mounting ..... Wall or column, four 3/8-inch slotted mounting feet  
 Connections ..... Internal screw-type barrier terminal blocks  
 Conduit entry ..... Standard hole size top: 3/4 NPT; standard size hole bottom 1 1/2-inch NPT

**Approvals**

NRTL certified for use in US and Canada ..... Class I, Div. 1, Groups C and D  
 Class II, Div. 1, Groups E, F, and G; Class III, Div. 1

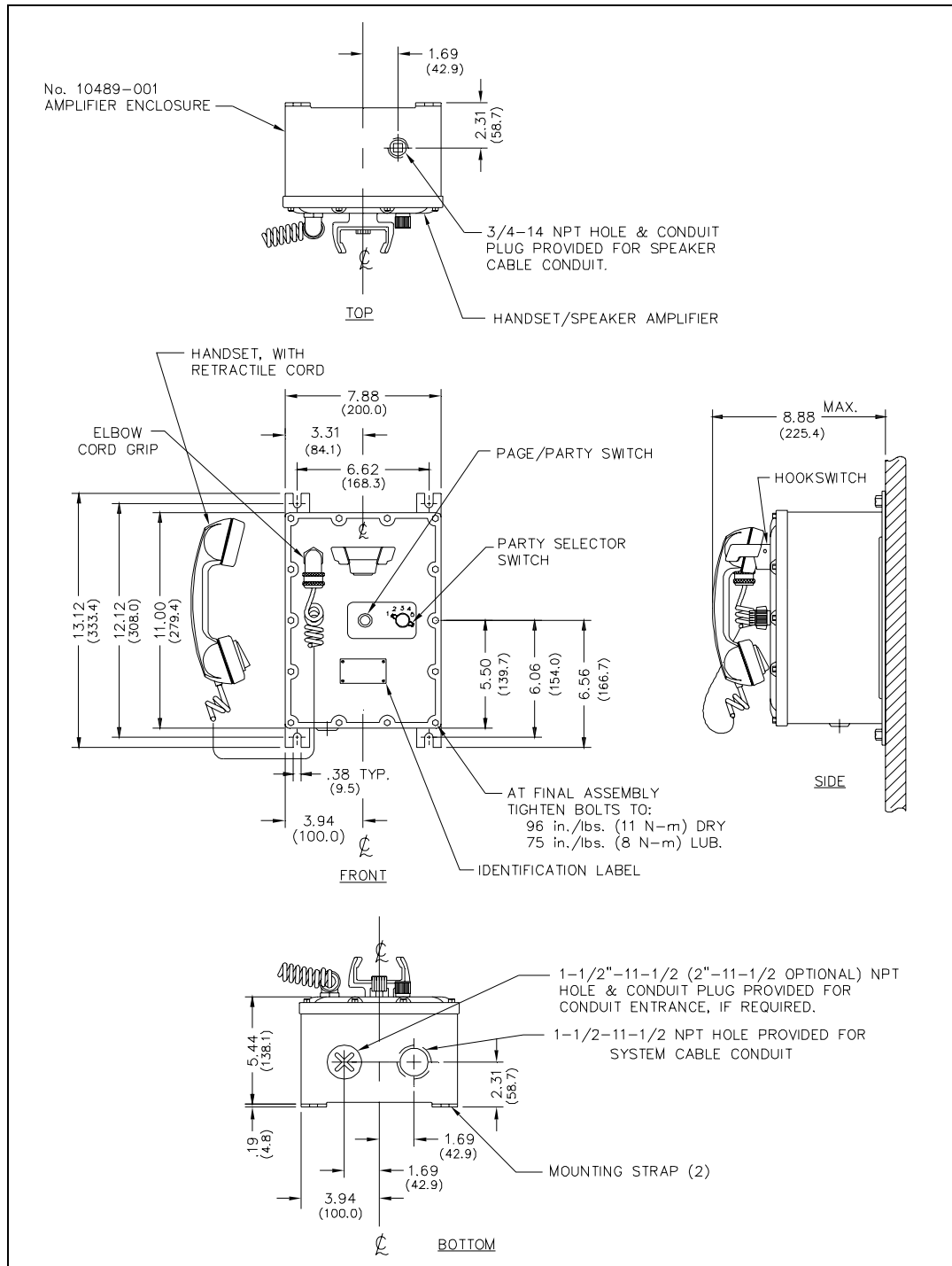


Figure 1. Mounting details