



GAI-TRONICS® CORPORATION
A HUBBELL COMPANY

Model 7805-301 Page/Party® Handset Station for Cenelec Zone 1 Applications

General Information

This data sheet applies to the GAI-Tronics Model 7805-301 Page/Party® Handset Station for Cenelec Zone 1 applications. The assembly is a speaker/amplifier housed in an explosion-proof cast aluminum enclosure equipped with a handset, which designed to be installed in hazardous areas where combustible gases exist or may exist.

The handset station provides clear paging and 5-party line communications even in high noise areas where explosive atmospheres exist or may exist. The Model 7805-301 Multi-party Handset Station are BASEEFA approved to CENELEC Standards Ex dib for Zone 1 Group IIC T5.

Specifications

Electrical

Voltage 90 to 140 V ac (120 V ac nominal) 50/60 Hz

Power Consumed Zero/maximum signal (12 watts): 15 VA, 10.5 watts; 53 VA, 34 watts

Speaker Amplifier

Output: 12 watts minimum, with nominal supply voltage

Output limiter: 2.16 V_{peak} (adjustable via configuration)

Voltage gain 26 dB maximum, adjustable

Frequency response 250–4000 Hz, +0 dB, -3 dB ref. to 1 kHz

Distortion 1% maximum THD @ 1 kHz, 12 watts

Input Impedance 50k ohms nominal

Audio input from line 1.5 V_{rms} nominal (depends on distance) from 33 ohm

Handset

Output 1.5 V_{rms} nominal into 33-ohm load

Output limiter 1.5 V_{rms} nominal

Gain 55 dB nominal (below limiter level) adjustable from 40–63 dB

Frequency response 325–7000 Hz, +0 dB, -3 dB ref. to 1 kHz

Distortion 1.5% maximum THD @ 1 kHz

Recommended environment Greater than 50 dB SPL

Mechanical

Dimensions 14.4 H × 14.4 W × 7.83 D inches (367 × 367 × 199 mm) overall

Enclosure material LM25TF, Epoxy

Handset material Gray ABS

Handset microphone Dynamic, noise canceling

Handset receiver Dynamic, hearing aid compatible per FCC part 68

Cable..... Hytrel®, Retractable, 6-foot (1.8 m) when extended
 CradleFixed; built-in off-hook detector
 External controls Press-to-page switch; party line selector switch
 Internal controls Tone adjust, sidetone, handset receiver volume, line level, AGC level

Environmental

Temperature range.....-4° F to +151° F (-20° C to +66° C), Operating and storage
 Humidity.....95% non-condensing

When the handset is removed from the cradle, a magnetic reed switch in the cradle takes the station off-hook. In addition to the handset and cord, a push-to-page button and a label are located on the front cover. On the multi-party stations, a 5-party line selector switch is also included. See Figure 1.

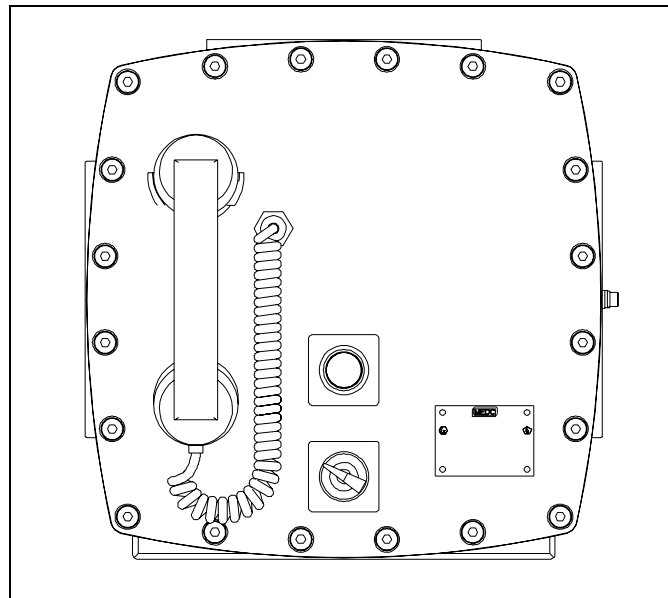


Figure 1. Model 7805-301 Page/Party® Handset Station - Front View

The cable gland entries for Model 7805-301 are shown in Figure 2. The following entries are on the base: three M25 entries (two fitted with plugs); and one M16 entry.

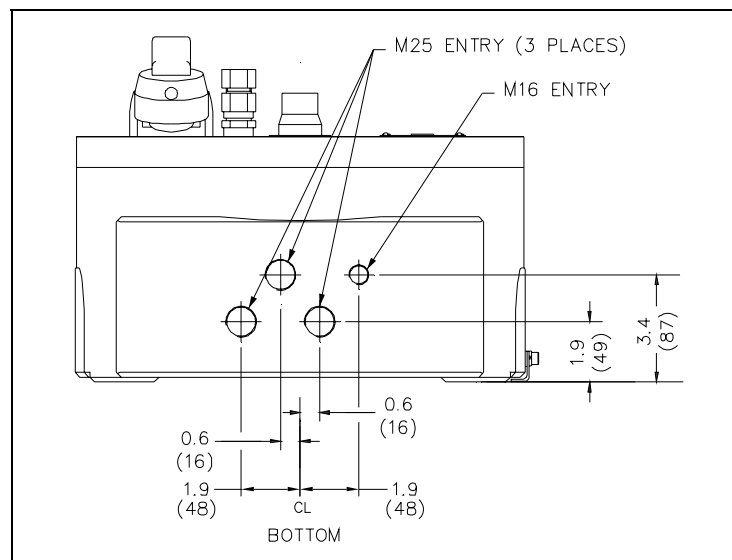


Figure 2. Model 7805-301 Cable Gland Entries - Bottom View