



GAI-TRONICS® CORPORATION
A HUBBELL COMPANY

Model 13350 Integral Loudspeaker

General Information

This data sheet applies to the Model 13350 Integral Loudspeaker. Field connections and wattage tap changes are made directly to the two-position terminal block located in the rear enclosure. A wiring harness connects the terminal block to the loudspeaker. The loudspeaker's rear fully reversible enclosure allows versatile placement. The unit is shipped assembled for bottom cable entry. Rotate the rear enclosure 180° if top cable entry is desired.

The 3/4-inch female conduit entries allow speakers to be daisy-chained without junction boxes, which is particularly desirable in 70-volt distributed systems. Termination to the speaker can be made with rigid conduit, flexible conduit, or cable bushing. A 3/4-inch male hex socket type conduit plug is provided for an unused entry. When conduit entries are closed the speaker is completely weatherproof.

Specifications

Mechanical

Enclosure..... Glass-reinforced polyester, 0.20 inch thick
Hardware..... Urethane gaskets, stainless steel hardware

Electrical

RMS power rating 16 watts
Sensitivity..... 107 dB, 1 watt at 1 meter
Nominal coverage when surface-mounted to wall (ref. -6 dB)
Vertical Upward: 40 degrees
Downward: 60 degrees
Horizontal 90 degrees

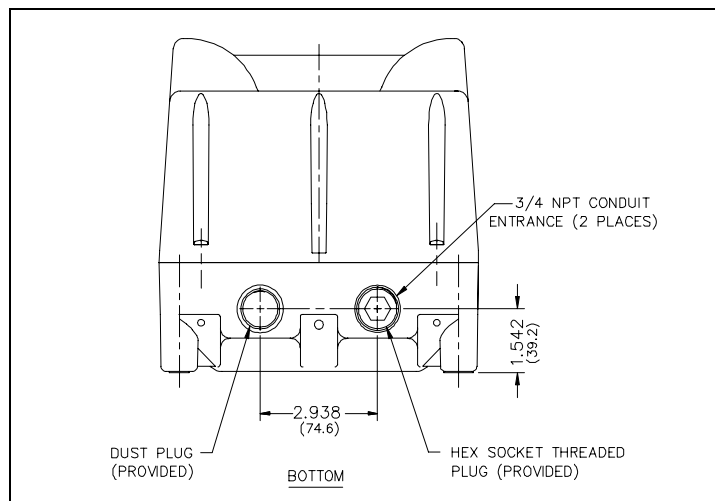


Figure 1. Conduit Entries

Model 13350 Integral Loudspeaker

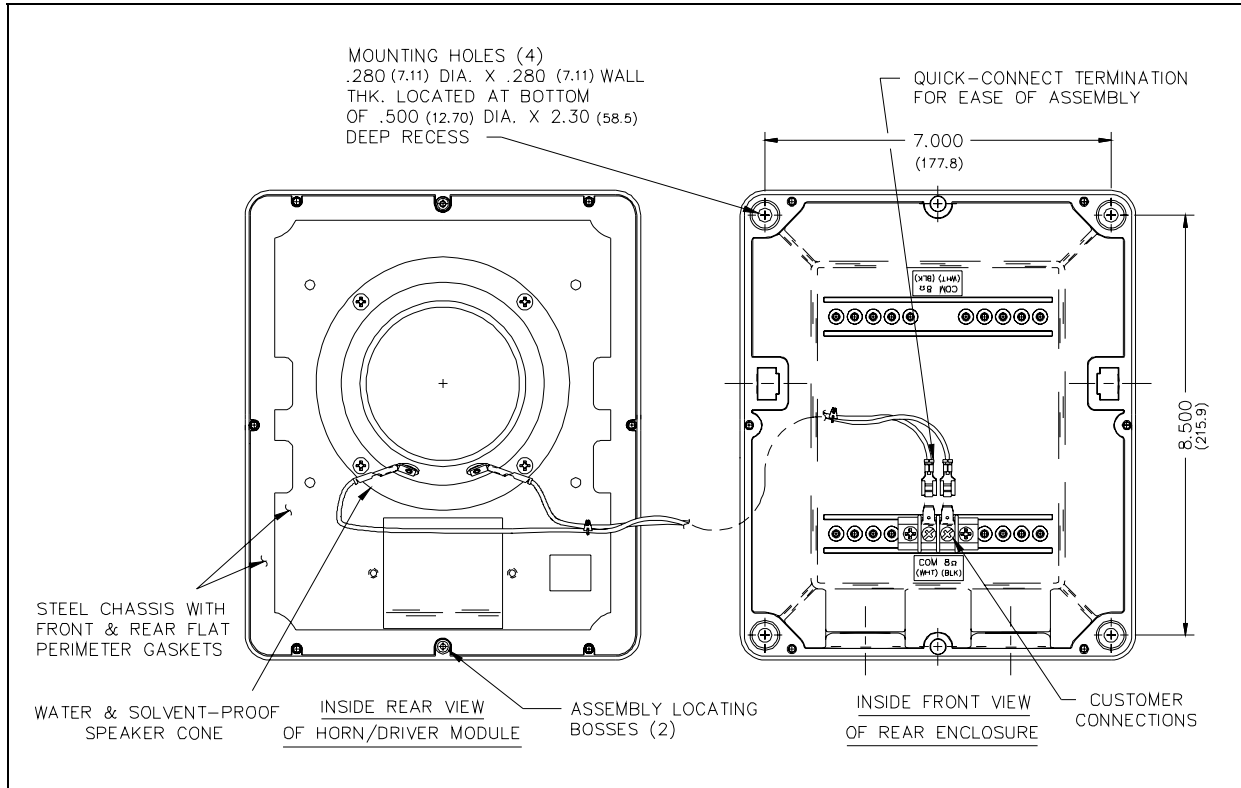


Figure 2. Model 13350 Loudspeaker Wiring