



GAI-TRONICS® CORPORATION
A HUBBELL COMPANY

Model 231-001 Pole Mounting Kit

Confidentiality Notice

This manual is provided solely as an operational, installation, and maintenance guide and contains sensitive business and technical information that is confidential and proprietary to GAI-Tronics. GAI-Tronics retains all intellectual property and other rights in or to the information contained herein, and such information may only be used in connection with the operation of your GAI-Tronics product or system. This manual may not be disclosed in any form, in whole or in part, directly or indirectly, to any third party.

General Information

This kit is for use with GAI-Tronics weatherproof enclosures measuring 8 × 9.5 inches.

Bracket Mounting Procedure

Mount the bracket 54 inches (recommended height) from the floor to the centerline of the bracket. The universal bands are capable of securing the bracket to poles between 2.5 and 15 inches in diameter. For additional support when using wood poles, use 3/8-inch or 1/2-inch lug bolts with washers (not included).

Installing the Band

With the screw fully retracted, slip the free end of the band through one of the outer slots in the rear of the bracket. Be sure that the clamp is positioned with the bolt head opposite the outer slot to allow for clearance. See Figure 1.

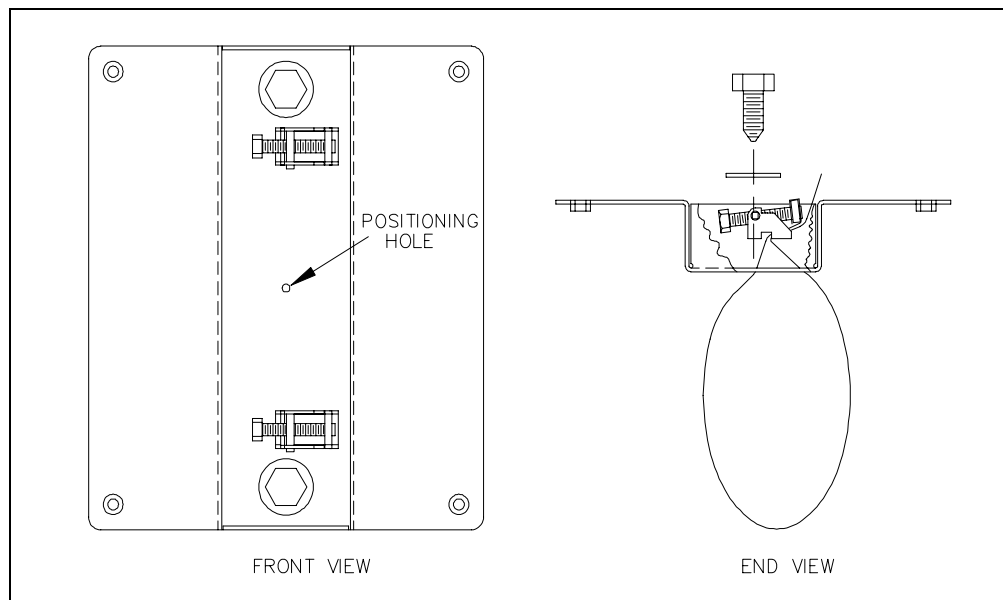


Figure 1. Installing the Band

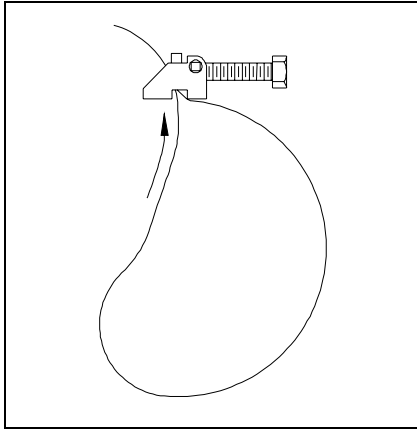


Figure 2. Installing the Band

Put the band around the pole and back through the center slot in the bracket, then through the clamp. See Figure 2.

Tightening the Band

Pull the band tight, and maintain the tension while tightening the bolt. See Figure 3.

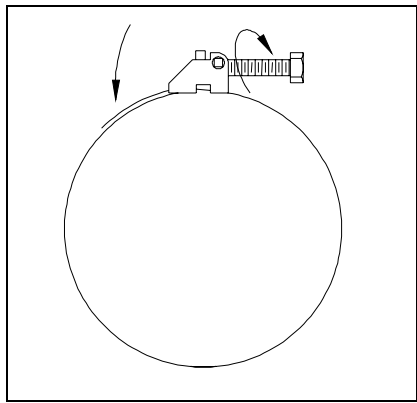


Figure 3. Tightening the Band

Removing the Band

Loosen the bolt to the fully retracted position. Press down on the bolt, and feed the loose end of the strap back through the slots. See Figure 4.

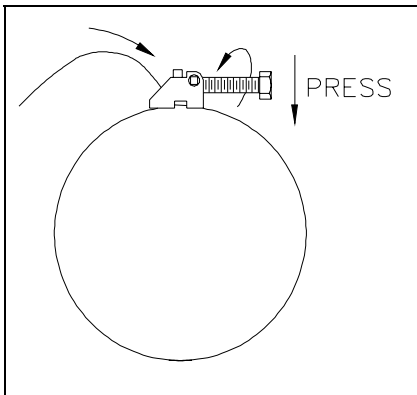


Figure 4. Removing the Band

Mounting the Enclosure

NOTE: The following steps should be completed only after the bracket has been mounted to the pole.

1. Loosen the four captive screws, and swing the front door open to the left. Disconnect any cables or connectors, and pull the front assembly unit away from the rear enclosure. If the unit is equipped with hinges, remove them by pulling them out of the rear enclosure holes.
2. Mount the rear enclosure to the bracket using the Phillips Fillister head 1/4-20 by 1/2-inch machine screws. Refer to Figure 5.
3. Replace the front assembly, and reconnect all the cables. Tighten the four outer screws.

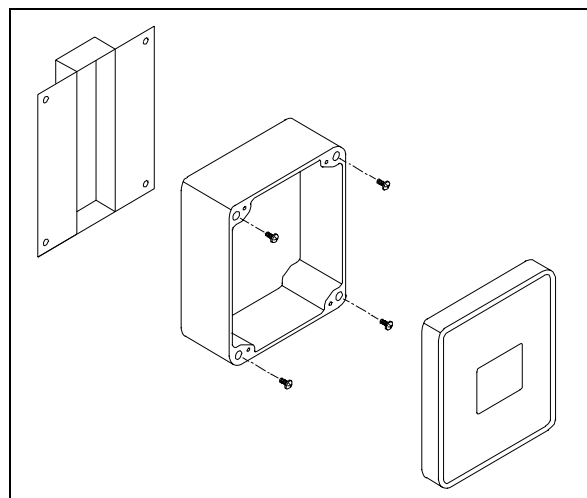


Figure 5. Mounting the Enclosure